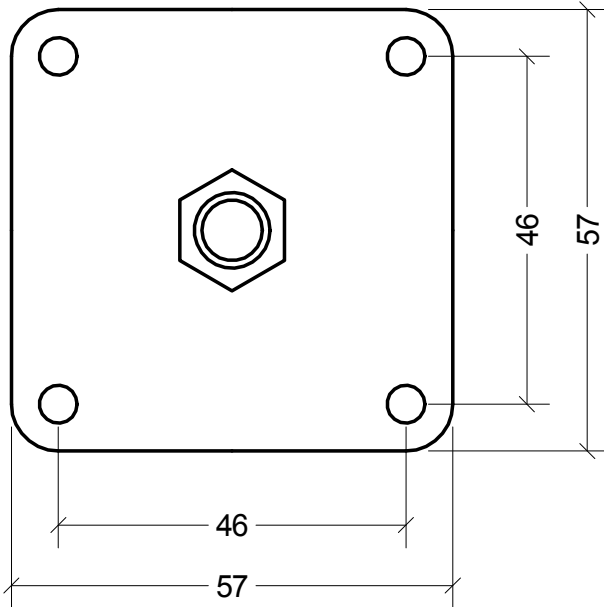
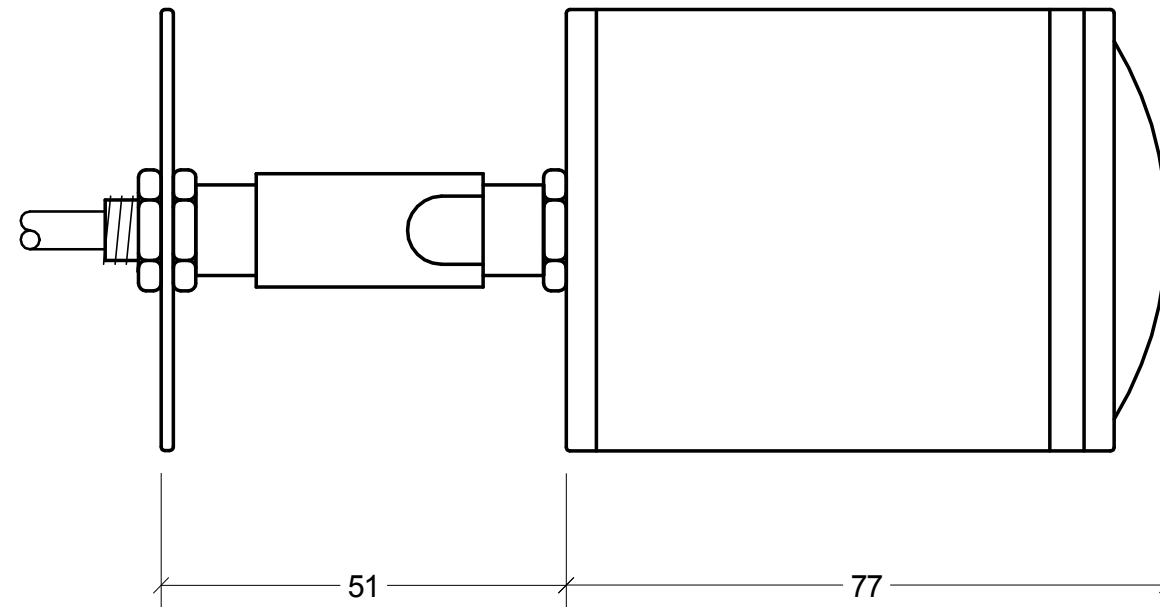


1 2 3 4 5 6 7 8

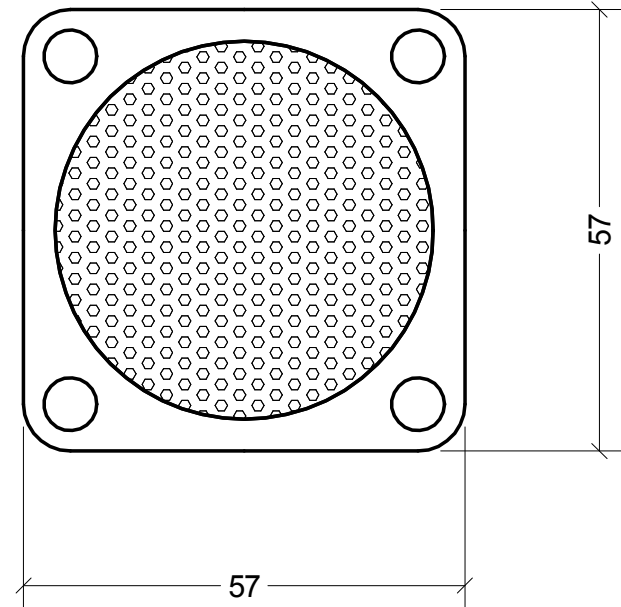
A B C D E F



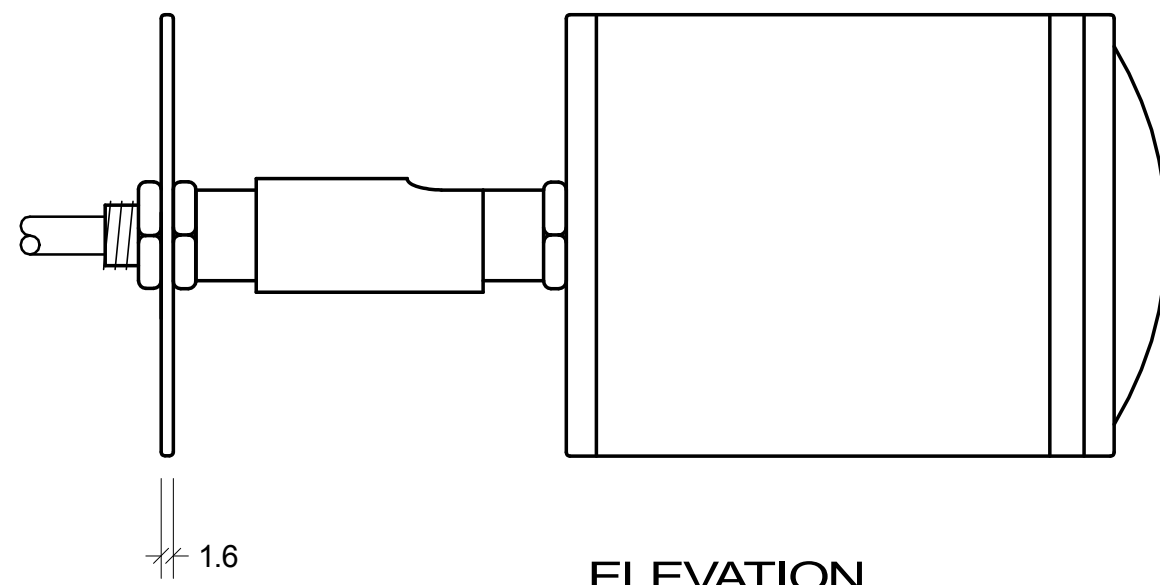
MOUNTING



PLAN



GRILLE



ELEVATION

A 02.04.2013 Original Issue

acoustic technologies

Drawn R. Faint	Checked	Approved	Revision A	Scale 1:1
----------------	---------	----------	------------	-----------

MK50 GENERAL ARRANGEMENT			Sheet 1 of 1	
			AT-A3-587	

1 2 3 4 5 6 7 8